



**ENTRE/MATIC**



# DYNACO S-555 Cat.3 Atex All Weather

[www.dynacodoor.com](http://www.dynacodoor.com)

**Push-Pull**  
gear driven technology



**outside door**



# DYNACO S-555 Cat.3 Atex All Weather

The Dynaco S-555 Cat.3 Atex All Weather is specifically designed for outside applications in explosion sensitive environments and harsh conditions. Officially approved by Apragaz notified body for use in potentially explosive atmospheres.

All metal parts are stainless steel, non-metallic parts are composed of antistatic or electrical conductive materials, thus avoiding the build up of static electricity that could generate sparks.

Operating speed and perfect sealing properties improve your traffic flows and provide employee comfort, environmental control and savings on energy costs. Fully self-reinserting, the Dynaco S-555 Cat.3 Atex All Weather will automatically reinsert itself in its side guides when the curtain is accidentally hit.

- **HIGH SPEED OPERATION:**  
Maximum speed 1 m/s.
- **PATENTED "PUSH PULL" TECHNOLOGY:**  
Unique door drive system.
- **SUPERIOR SEAL, WIND RESISTANT:**  
Patented side frame assembly.  
Up to wind load class 5.
- **CRASH FORGIVING AND SELF-REINSERTING WITHOUT INTERVENTION:**  
The curtain automatically reinserts itself when dislodged. No repair costs, no production downtime.
- **USER SAFETY:**  
Flexible curtain without rigid elements.
- **ADVANCED DRIVE:**  
Frequency driven motor and encoder for smooth operation. Wearable elements are reduced to a minimum.
- **DYNALOGIC CONTROL BOX:**  
User-friendly control box with self-diagnosis.
- **CONFORM TO EN13241-1**
- **CONFORM TO DIRECTIVE 2014/34/EU**  
⚠ II 3 G/D  
Ex h IIC T6 EPL Gb  
Ex h IIIC 85°C EPL Db  
Ex db mc ia e IIC T4 EPL Gc  
Ex tb mc tD IIIB 135°C EPL Dc  
CE 0029 APRAGAZ 16ATEX 0150X/1   
T ambient -10°C to 45°C

All synthetic parts  
in antistatic material



Side reinforcement



Complete structure  
in stainless steel





### EN13241-1 STANDARDS

Standard	Ref.	Test acc.	Results
Water permeability	EN 12425	EN 12489	Class 3
Wind load	EN 12424	EN 12444	Class 4*
Wind permeability	EN 12426	EN 12427	Class 1**
Safe openings	EN 12453	EN 12445	Pass
Mechanical resistance	EN 12604	EN 12605	Pass
Unintended movements	EN 12604	EN 12605	Pass
Thermal transmittance	EN 12428	EN 12428	6,02 W/m <sup>2</sup> K
Performance (cycles)	EN 12604	EN 12605	NPD


The indicated class for wind resistance applies for maximum dimensions.

\* For doors up to W 5.000mm x H 5.500mm: Class 5

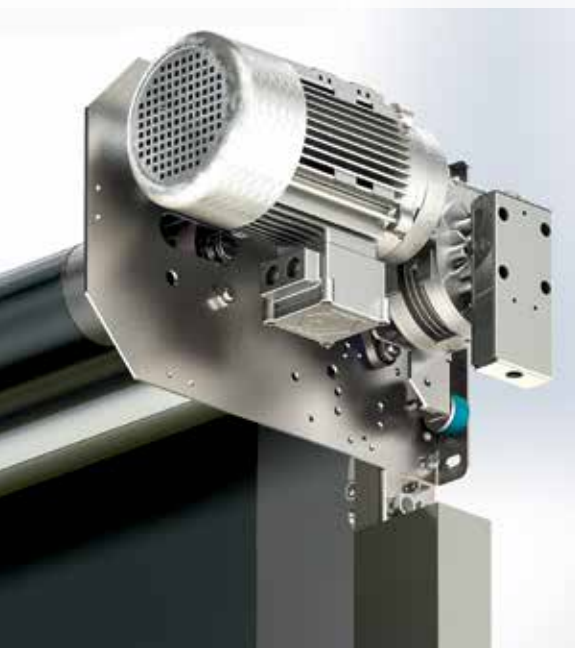
\*\* Valid for a door of 3500 x 3500mm

Explosion groups	Temperature class					
	T1	T2	T3	T4	T5	T6
Min. ignition temperature or max. surface temperature	450 °C	300 °C	200 °C	135 °C	100 °C	85 °C
I (Mining)	Methane					
IIA	Acetone Ammonia Benzene Acetic acid Ethane Ethyl acet. Methane Methanol Naphthalene Phenol Propane	i-Amylac- etate n-Butane n-Butane alcohol	Benzines Diesel fuels Fuel oils n-Hexane	Acetalaldehyde		
IIB	Town gas	Ethylene Ethylene oxide	Hydrogen sulphide	Ethyl ether		
IIC	Hydrogen					Carbon disul- phide

### CHARACTERISTICS

<b>Max. dimensions</b>	W 5.500 mm x H 5.500 mm
<b>Opening speed</b> <b>Closing speed</b>	Maximum 1 m/s 1 m/s
<b>Structure</b>	Stainless steel: 80 x 40 x 3 mm.
<b>Drum</b>	Stainless steel - Ø 102 x 1.2 mm.
<b>Side guides</b>	Reinforced antistatic polyethylene (PE-UHMW1000 carbon black) on springs. Side guides reinforced over the total height.
<b>Motor</b>	4 poles, without brake. Ex d Power 1,5 kW - IP rating: IP 66
<b>Control box</b>	DYNALOGIC 2 (600x600x210mm) provided with: circuit breaker, general divider, adjustable timer, push button for opening and reset, emergency stop and Ex i switching amplifier. IP rating: IP 65. Frequency inverter. Always to be installed outside the danger zone. Optional: DYNALOGIC 5 (500x500x250mm).
<b>Standard detectors</b>	Ex ia infrared barrier: 300 mm from the floor. Bottom edge detection via intrinsic safety barrier
<b>Power supply</b> <b>Frequency</b>	Single phase 230V - 16 A Frequency: 50-60 Hz
<b>Available colours</b> comparable with:	Black RAL9005  (Actual colour may deviate. Colour sample available upon request)

Atex motor, gearbox and encoder



Bottom edge detection via intrinsic safety barrier



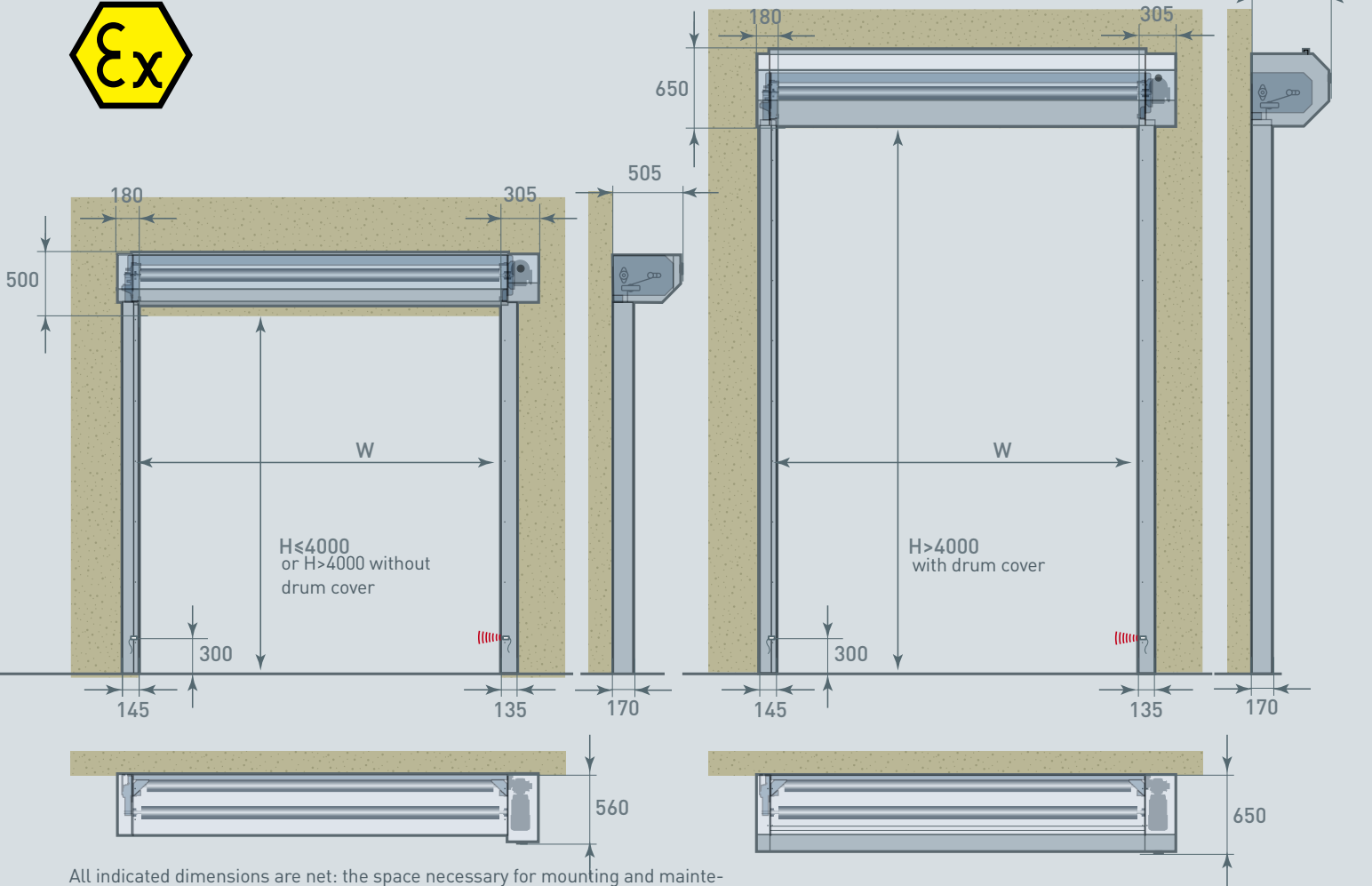
Standard earthing kit



# Dimensions and installation requirements S-555 Cat.3 Atex All Weather



650



All indicated dimensions are net: the space necessary for mounting and maintenance has to be provided. Reduced dimensions: upon request.

REMARK: Based on the risk analysis of the environment, extra push buttons, detectors and covers might be required.

© Entrematic Group AB – 2018

Entrematic offers a comprehensive range of products for industrial, commercial, institutional and residential applications, including sectional doors, loading dock equipment, high-performance doors, residential garage doors, pedestrian doors, gates and barriers, and automation and operators. Built on nearly 200 years of accumulated expertise, Entrematic aims to be the most dynamic, innovative company in the entrance automation industry, and the best partner for dealers and installers. Our well-known brands include Normstahl, Dynaco, Ditec, EM and Nergeco.

Entrematic, Amarr, Kelly, Serco, Normstahl, Dynaco, Ditec, EM and Nergeco, as words and logotypes, are examples of trademarks owned by Entrematic Group AB or companies within the Entrematic Group.

The Dynaco products are protected by worldwide registered patents. As part of its policy of continuous product development, Entrematic Belgium nv reserves the right to change the characteristics of its products or components without prior notice.

Disclaimers:

For a correct use of our products, please refer to our manual.

Everything that is mentioned in this brochure is only valid under the terms of use in the user manual and on condition that the door was properly installed and maintained and has not undergone abuse nor neglect.

ENTREMATIc BELGIUM NV  
Waverstraat 21  
B-9310 Moorsel-Aalst (Belgium)  
Tel. +32 53 72 98 98  
Fax. +32 53 72 98 50  
info.dynaco.eu@entrematic.com  
www.dynacodoor.com

**ENTREMATIc**